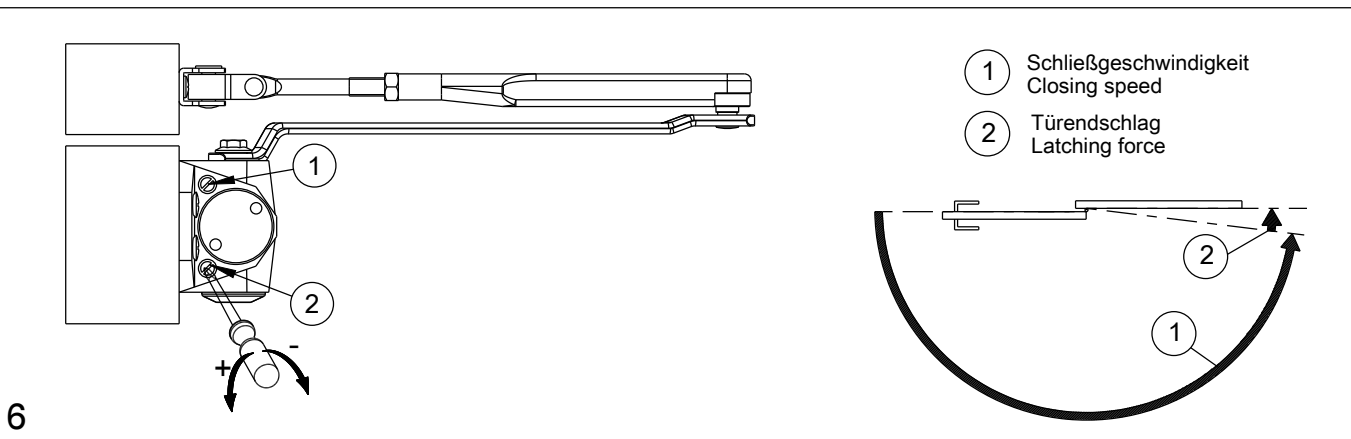
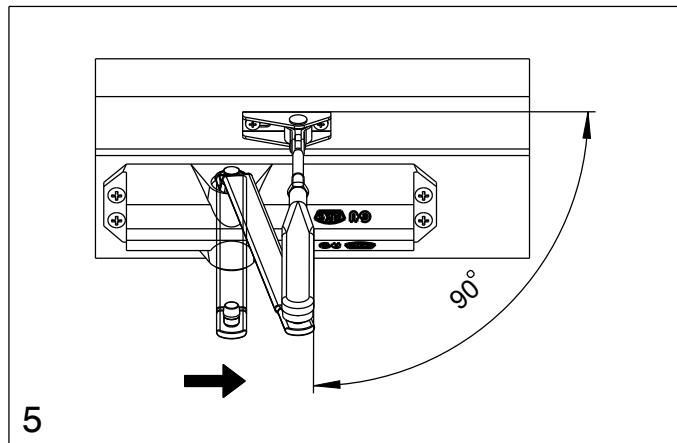
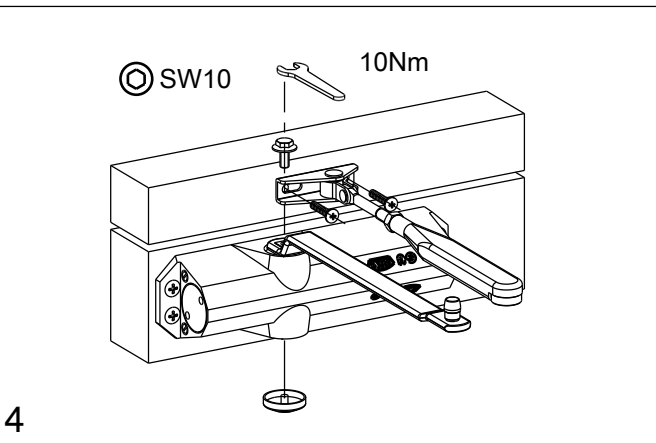
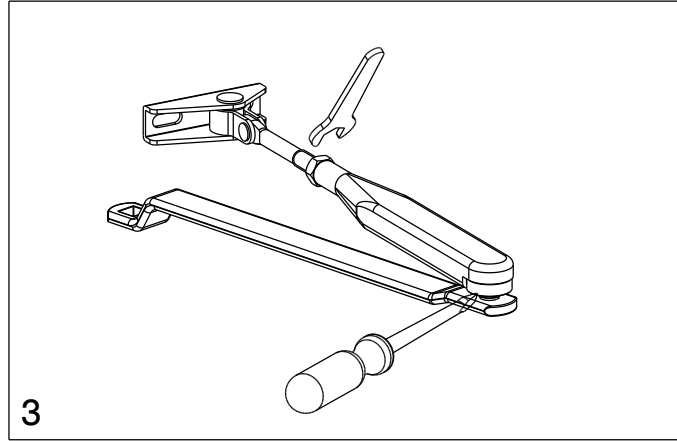
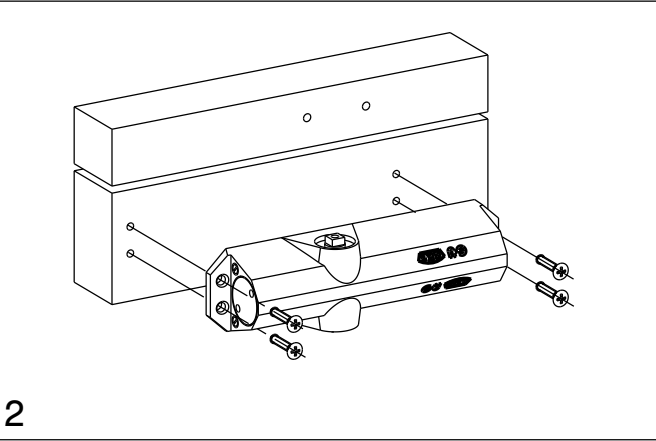
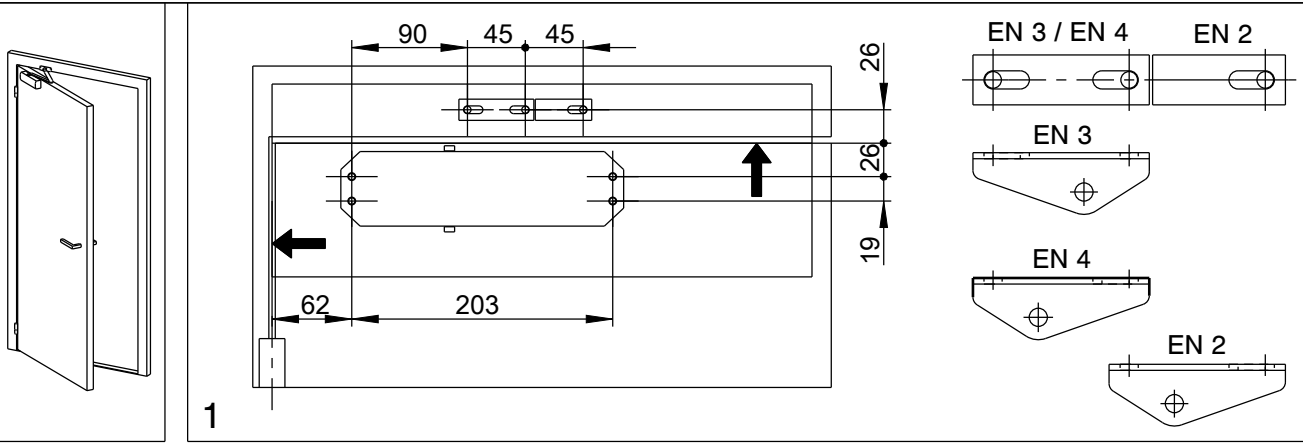


Declarations of Performance can be found at the GU-Homepage  
["www.g-u.com/en/services/construction-products-regulation.html"](http://www.g-u.com/en/services/construction-products-regulation.html).  
 You will find the product information 0-46884-P0-0-0  
 "OTS/UTS/VTS -Door closer" at the GU-Homepage  
[www.g-u.com](http://www.g-u.com) under "SERVICES" in the menu item "Downloads".

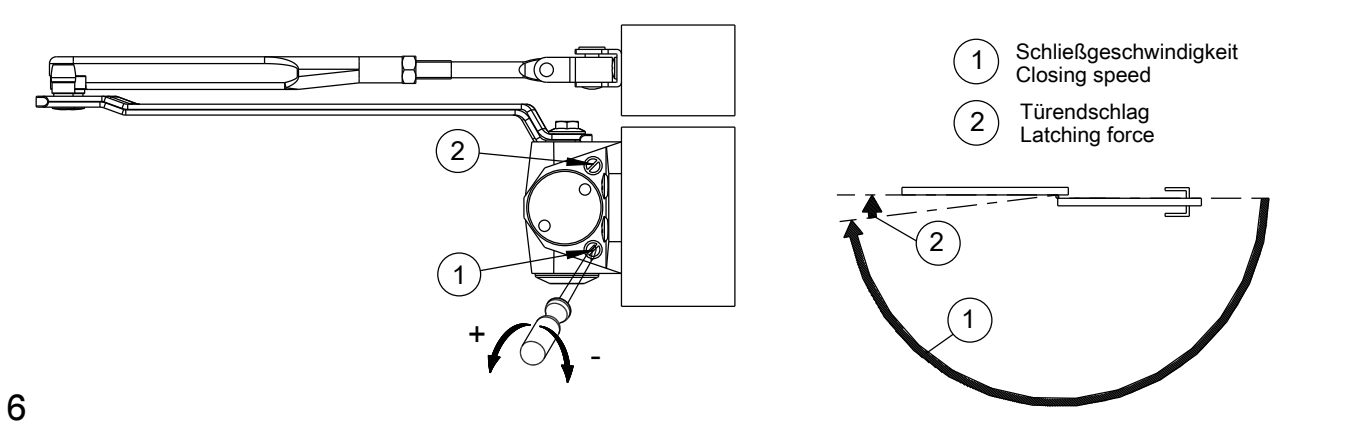
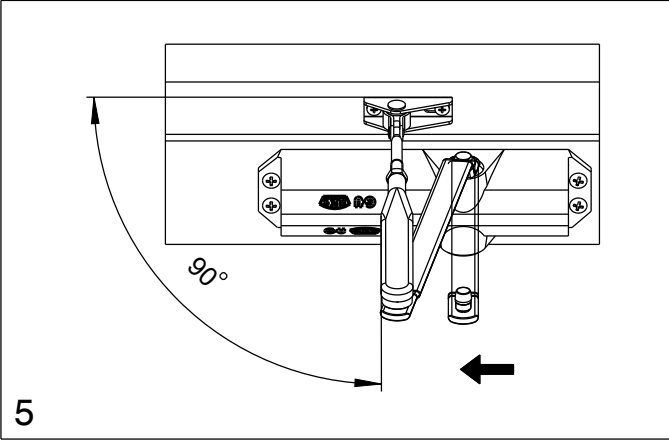
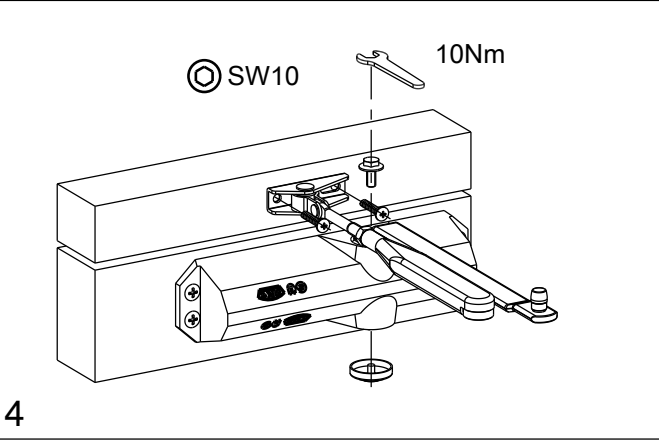
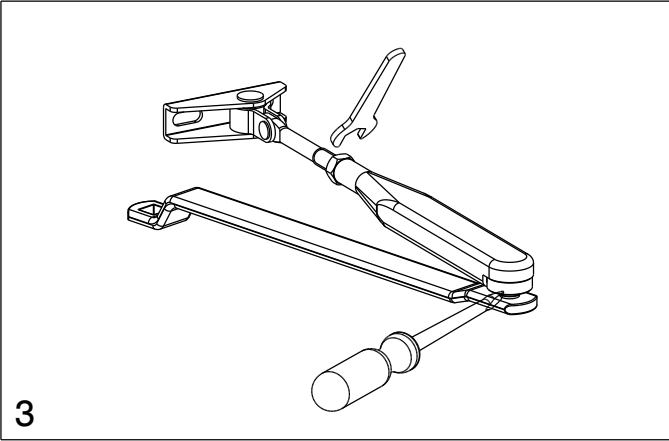
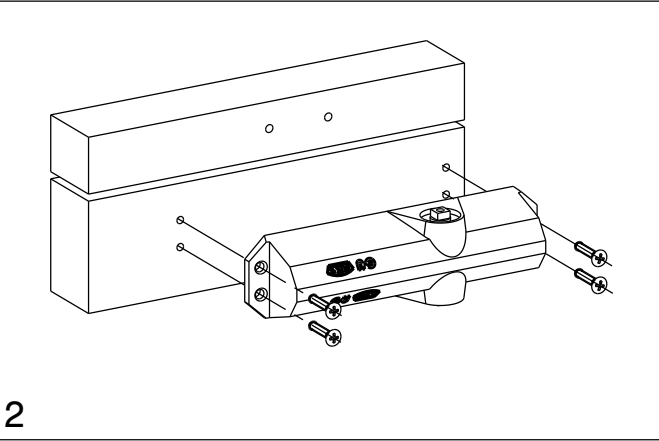
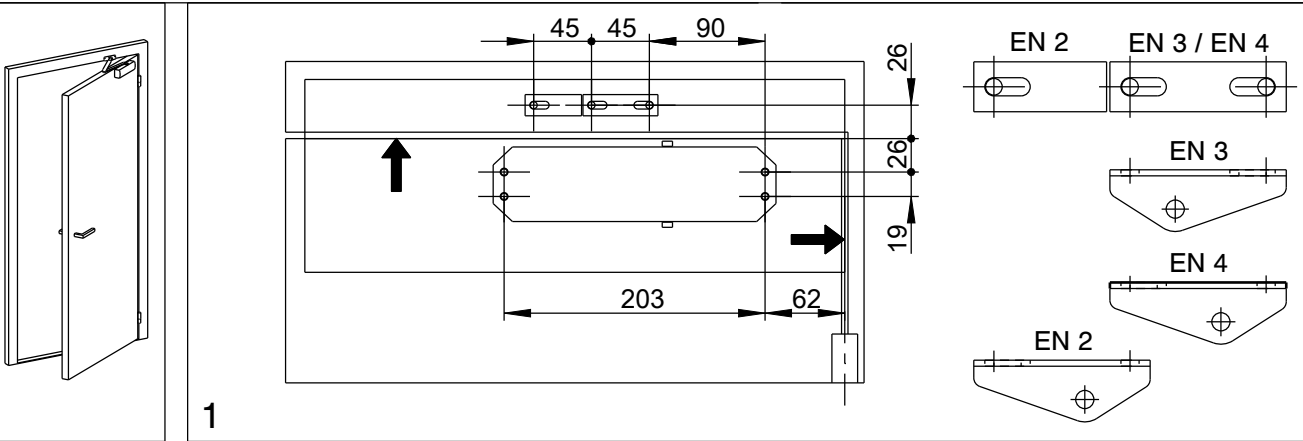
Leistungserklärungen finden Sie auf der GU-Homepage  
["www.g-u.com/de/service/bauproduktenverordnung.html"](http://www.g-u.com/de/service/bauproduktenverordnung.html).  
 Die Produktinformation Türschließer OTS/UTS/VTS (Art.-Nr. 0-46884-P0-0-0)  
 finden Sie auf der GU-Homepage ["www.g-u.com/de/service/downloads.html"](http://www.g-u.com/de/service/downloads.html).

Proprietary rights apply in accordance with ISO 16016.



Description  
 OTS 140 Normalmontage Bandseite , DIN links K-17041  
 OTS 140 standard mounting on hinge side , DIN left K-17041

	Release No. --	Level	Released		Scale %	Modification 4	Size 4
	Mod. No. G34847	Ver.	--	Wi		Drawing No. 0-45363-PE-0-0	Sheet 1/4
	Replacement for M-00120		Draft	07.02.2018			Se



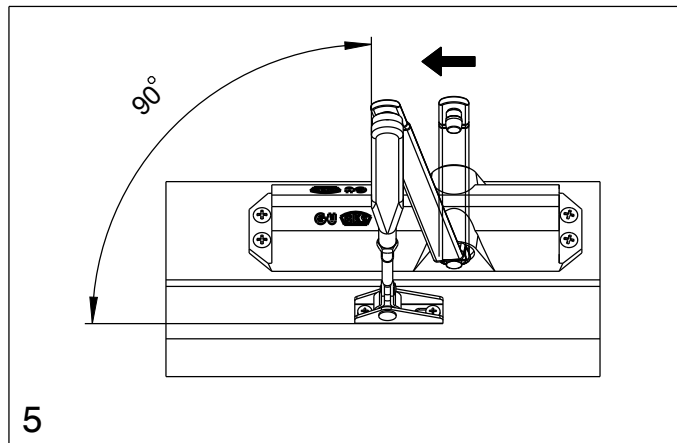
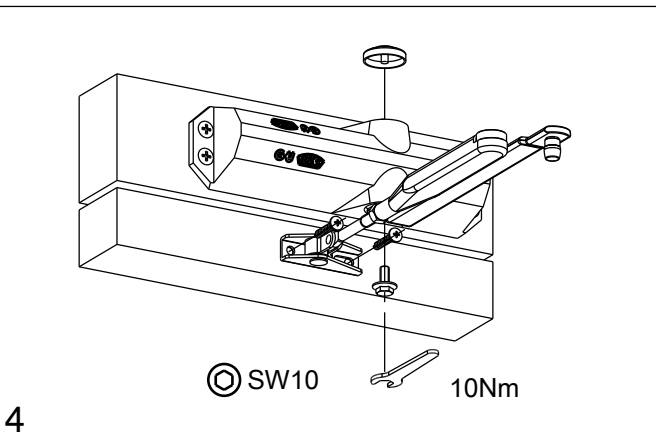
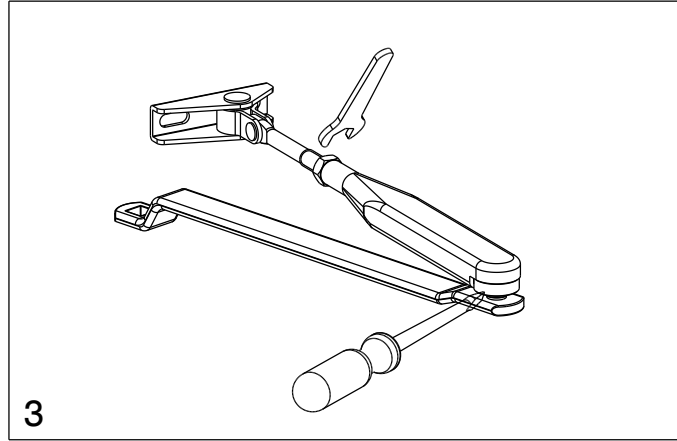
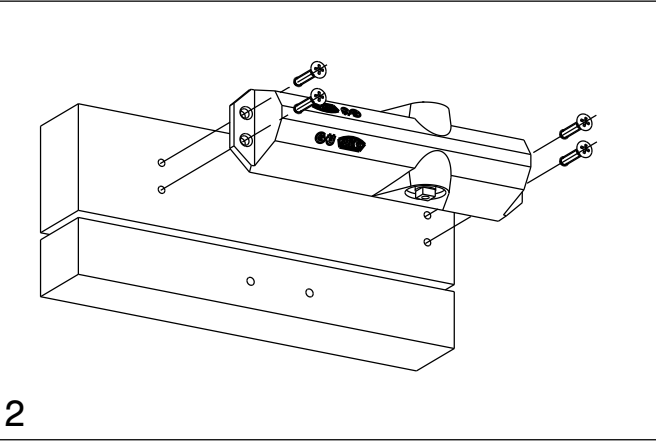
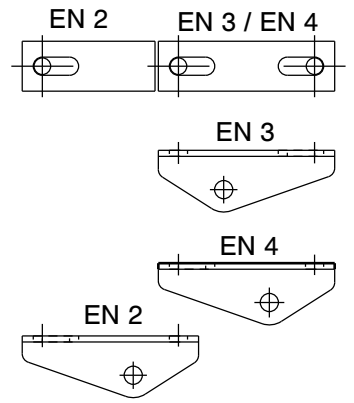
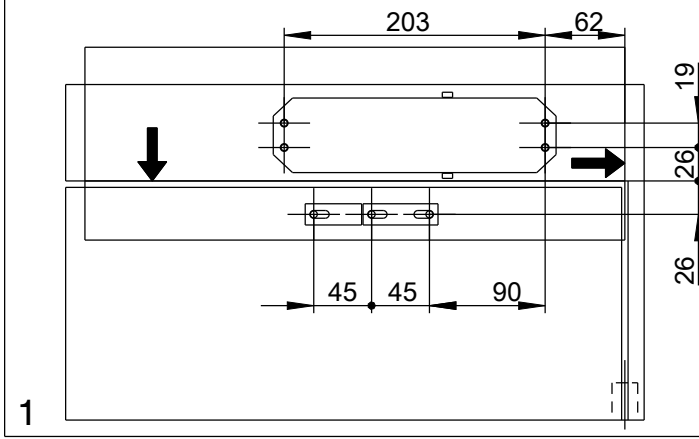
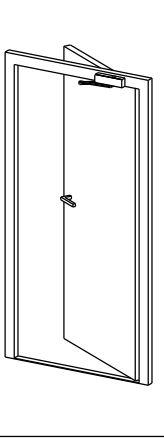
- EN
- ES
- FR
- 
- 

Description  
 OTS 140 Normalmontage Bandseite , DIN rechts K-17041  
 OTS 140 standard mounting on hinge side , DIN right K-17041

Montageanleitung  
 assembly instructions  
 V5

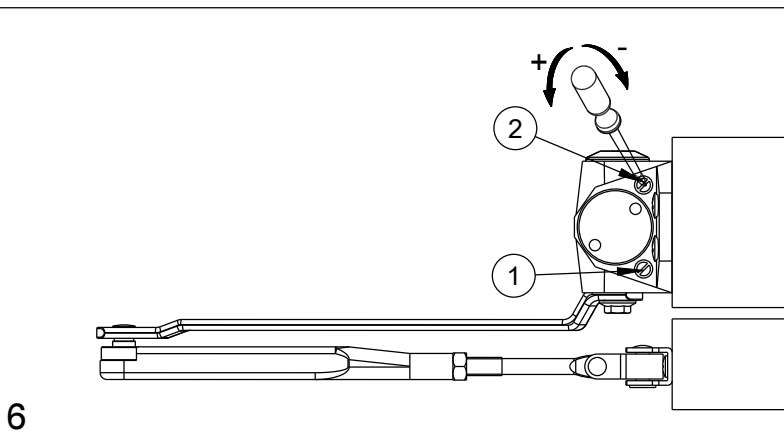
	Release No. --	Level	Released		Scale %	Modification <b>4</b>	Size <b>4</b>
	Mod. No. G34847	Ver.	--	Wi		Drawing No. <b>0-45363-PE-0-0</b>	Sheet 2/4
	Replacement for M-00120	Draft	07.02.2018	Se			

Proprietary rights apply in accordance with ISO 16016.

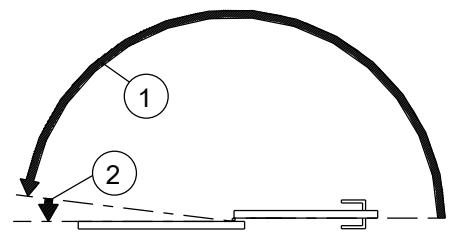


Proprietary rights apply in accordance with ISO 16016.

EN
ES
FR
--
--

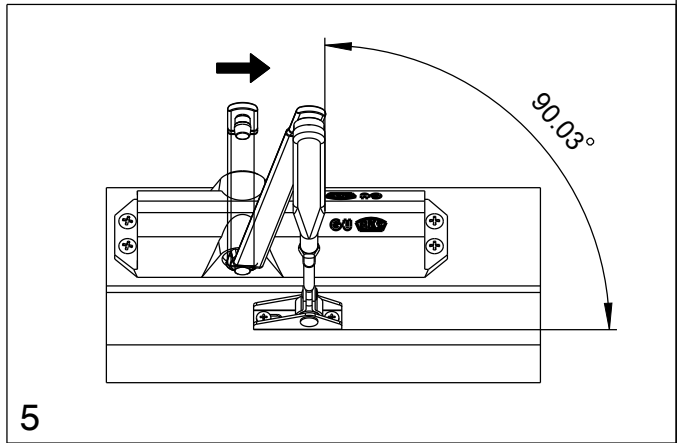
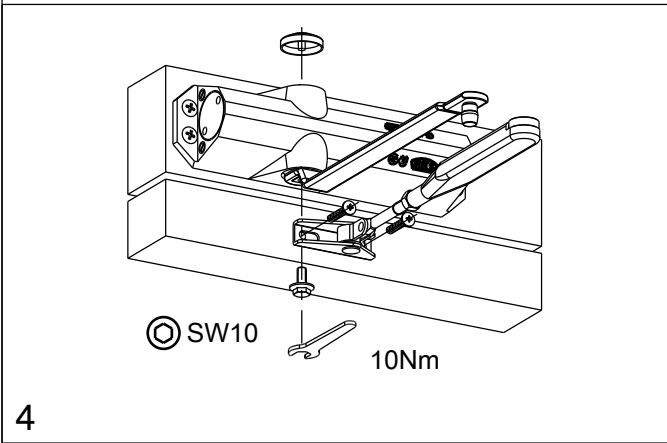
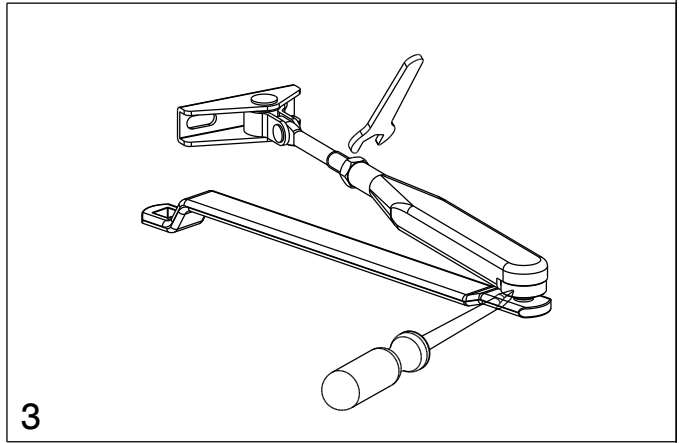
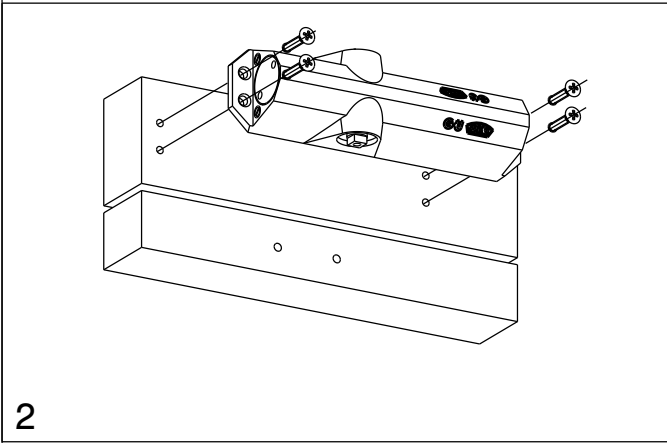
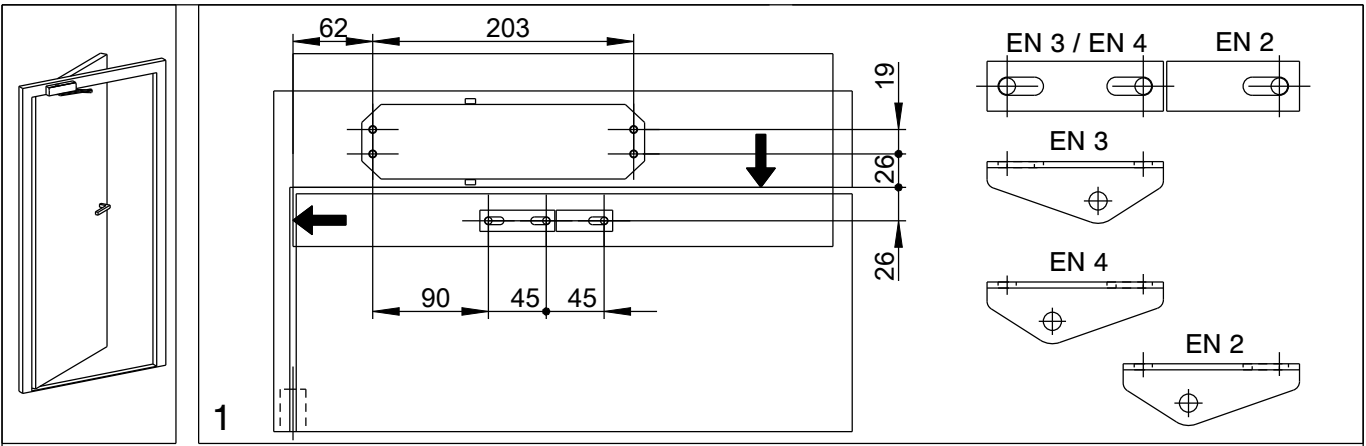


- ① Schließgeschwindigkeit  
Closing speed
- ② Türendschlag  
Latching force



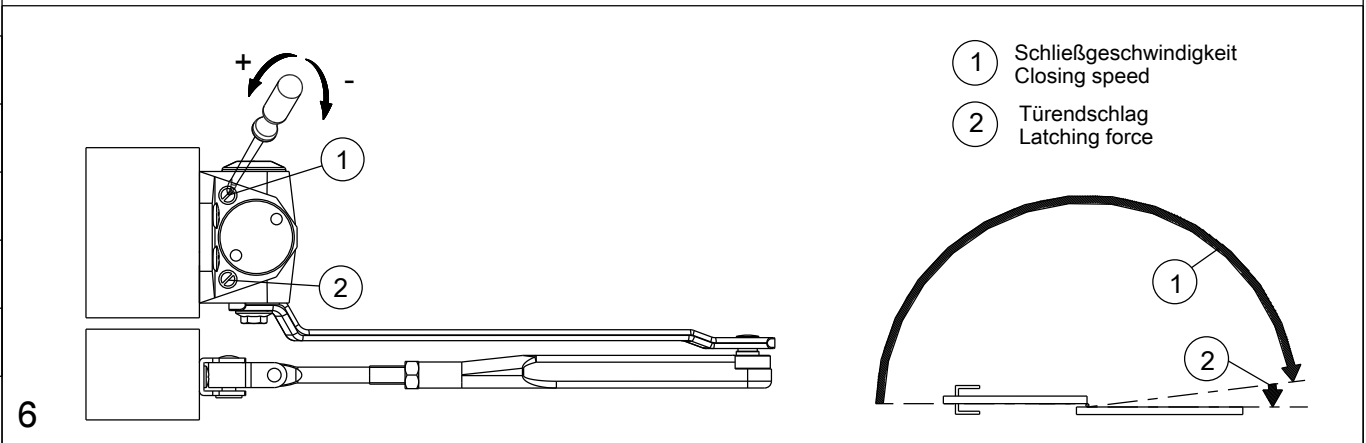
Montageanleitung  
assembly instructions  
V5

Description								
OTS 140 Kopfmontage Bandgegenseite , DIN links K-17041								
OTS 140 transom mounting on side opposite to hinges, DIN left K-17041								
	Release No.	Level	Released		Scale	Modification	Size	
	--	Ver.	--	Wi		%		4
	Mod. No. G34847	Draft	07.02.2018	Se				Drawing No.
Replacement for M-00120						0-45363-PE-0-0	3/4	



Proprietary rights apply in accordance with ISO 16016.

EN
ES
FR
--
--



Montageanleitung  
assembly instructions  
V5

Description

OTS 140 Kopfmontage Bandgegenseite , DIN rechts K-17041

OTS 140 transom mounting on side opposite to hinges, DIN right K-17041

	Release No. --	Level	Released		Scale %	Modification <b>4</b>	Size <b>4</b>
	Mod. No. G34847	Ver.	--	Wi		Drawing No. <b>0-45363-PE-0-0</b>	Sheet 4/4
	Replacement for M-00120		Draft	07.02.2018			Se