



YLI ELECTRONIC

CE ENEC EMC tested MA  
Patent: No.201420531846.3

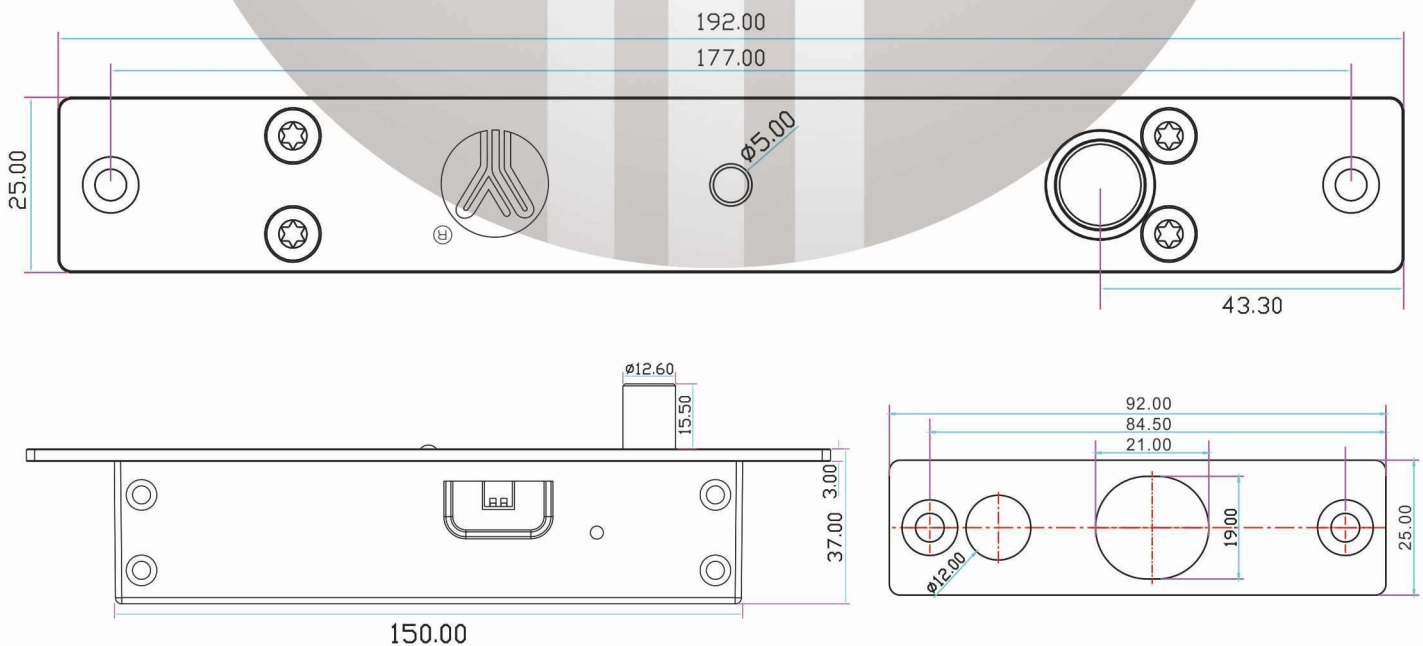
# Sturdiness Electric Bolt W/Narrow Door

## Model:YB-500A/B(LED)

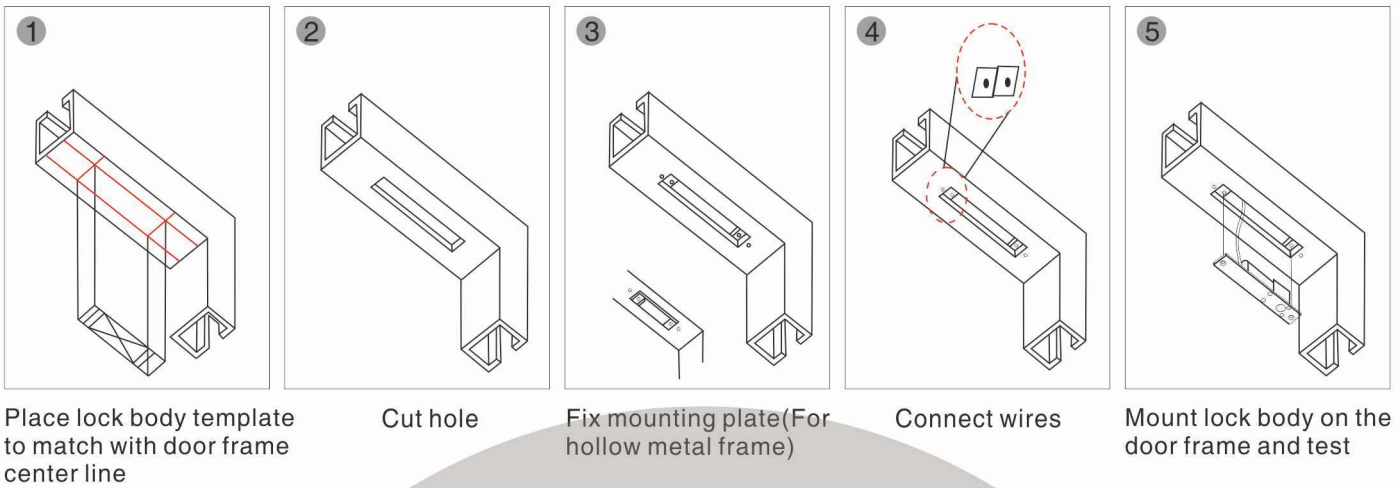
### Parameters

Face Plate	192Lx25Wx37H(mm)
Strike	92Lx25Wx3H(mm)
Bolt	16(projecture)*13(diameter)(mm)
Holding Force	1000Kg
Time Delay	0/3/6/9sec(Adjustable)
Voltage	12VDC(standard); 24VDC(need order)
Current	Start 12V/960mA; Standby 12V/180mA Start 24V/700mA; Standby 24V/110mA
Signal Output	NO/COM
Feature	Fail Safe [YB-500A(LED)]; Fail Secure [YB-500B(LED)]
LED	Green indicates the door is unlock; Red indicates the door is lock
Material	304 stainless steel, wire draw finishing
Induction Distance	8mm
Suitable for	Wooden door, glass door, metal door ,Fireproof door
Weight	0.68kg

### Dimensions

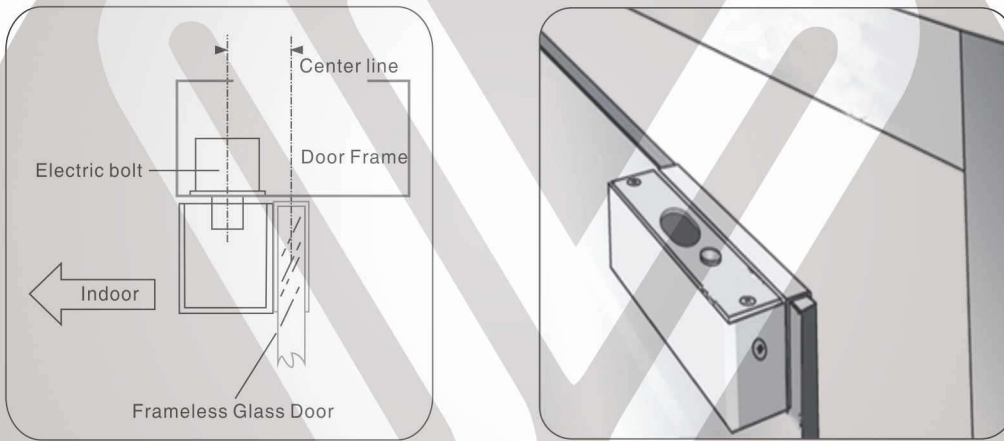


# Installation



# Installation Schematic

Suitable for 10-15mm glass door, BBK-600/601/602 for Frameless Glass Door.



# Wiring Diagram

