



# PULIMATIC

## AUTOMATIC SELF-CLEANING FILTER

### TECHNICAL DATASHEET

Household Range

SCTEC118

REV.04 dated 04/2024



## Purpose and Use

Impurities such as sand, rust flakes, lime deposits and coarse material can damage the water distribution line and household appliances (pipes, valves, mixers, faucets, washing machines, etc.). The installation of a protection filter is the most simple and efficient alternative to avoid such problems.

PulimATIC is an automatic self-cleaning filter, robust and compact with a brushing system for the filtering cartridge and discharge valve for dirt.

PulimATIC is designed with a standard filtration rating of 100 micron which retains coarse impurities from water preventing them from damaging the system.

## Operation

Raw water entering PulimATIC flows from the outside toward the inside of the filtering cartridge.

PulimATIC is a self-cleaning filter with an electronic control board which starts the filter washing in an operator-independent way when a pre-set time interval has elapsed.

The control unit allows the setting of cleaning in two ways:

1. Day/Time interval (TIME/DATE programming). Day: min-max: 1-60  
Scheduled time: day time to set.
2. Time interval: (FIXED INTERVAL programming). Time: min-max: 1-96 h.

During the cleaning the program carries out one washing cycle which involves three rotations of the filter cartridge (opening - closing the drain). You can set up to a maximum of 10 cycles per wash for a total of 30 rotations.

PulimATIC is set up by company for cleaning every 4 days at 00:00 and for 1 wash cycle with 3 rotations. During the filter washing, a LED lights up inside which allows you to see, through the slits in the front casing, the cleanliness of the cartridge (FT366 and FT368 only).

The water consumption for each washing cycle is approximately 14 liters (referred to a network pressure of 6 bar).

Its patented system of brushing and discharge of dirt ensures an effective cleaning of the filtering cartridge without any dismantling of the filter. During the cleaning cycle the filtering cartridge is completely brushed. The automatic opening of the discharge valve (located at the bottom of the bowl) creates a tangential high-speed flow which removes impurities accumulated in the bowl during working.

## Key Features

PulimATIC head's is made in brass and the vessel, equipped with the discharge valve, is made in high strength polyamide. The filtering surface is in stainless steel soldered on a stretched wire netting. The particular structure of the filtering cartridge makes it resistant to mechanical shocks and pressure gradients eliminating deformation and crushing of the



# PULIMATIC

## AUTOMATIC SELF-CLEANING FILTER

**TECHNICAL DATASHEET**  
Household Range

SCTEC118  
REV.04 dated 04/2024

filtering cartridge. The brushes are fixed with respect to the filter bowl and allow safe and effective cleaning.

The standard filtration rating of PuliMATIC is 100 microns; other filtration ratings (30, 50, 150 microns – not compliant with DVGW) are available upon request.

PuliMATIC is also equipped with two output signals (voltage-free clean contacts) which can be connected to electric panel. These contacts can support a maximum load of 5A at 24 VAC. They can be used for managing pumps, solenoid valves, alarms etc.

PuliMATIC requires an electrical connection of 230V/50Hz.

PuliMATIC with 1" ½ and 2" connections are equipped with pressure gauges to monitor pressure drop through the filtering cartridge.

### Optionals



PuliMATIC can be connected to an auxiliary electric panel (code 23022030) for managing up to two appliances at 24 Vac (backwashing pumps, solenoid valves, alarms etc.). The electric panel is powered at 230V/50 Hz.

In order to guarantee an independent and optimal cleaning of the filtering cartridge it is possible to install a pressure differential sensor, to be connected directly to the rear with a convenient terminal block (does not require a control panel), which detects a difference in pressure between the inlet and outlet of the filter and if this difference exceeds the pre-set value, an impulse is sent to the filter which activates the washing.

PuliMATIC filters are equipped with an input signal that can start washing the filter.

A series of solenoid valve 'normally opened' starting from 3/4" up to 3" are available they can be easily connected to the electric panel.

### Intended use, use conditions

PuliMATIC has been specifically designed for the treatment of drinking water intended for human consumption, predominantly in civil applications but it may also be used for the protection of water distribution lines in technological applications (heating and cooling systems, industrial installations, etc.).

### Maintenance and duration

PuliMATIC requires the periodic cleaning operation. This operation implies the opening of the discharge valve for some seconds.

PuliMATIC must be included in the periodic sanitization program planned for the distribution system (who has built the distribution system is in charge of this planning). As a consequence any time the distribution system is sanitized PuliMATIC must be sanitized too. The outer ring can be used to mark the month of the next sanitization operation.

For a proper maintenance two annual inspections are recommended.

### Installation

The installation of the filter is a significant modification to the drinking water plumbing system, then it must be carried out in a workmanlike manner by a qualified technician, in compliance with local laws, regulations, and standards.

PuliMATIC should be installed in the cold water line upstream of the appliance (boiler, heat exchanger, etc.) to be protected. Do not install in the hot water line or downstream of the appliance to be protected.



# PULIMATIC

## AUTOMATIC SELF-CLEANING FILTER

**TECHNICAL DATASHEET**  
Household Range

SCTEC118  
REV.04 dated 04/2024

PulimATIC must be equipped with an adequate by-pass system that allows it to be excluded in case of need. Provide a visible drain sized to receive and properly dispose of the water coming from the filter during washing.

In any case, before carrying out the installation, consult the instruction manual for use and installation supplied with the equipment.

### Warnings

Protect from frost and bad weather, avoid contact with solvents and chemicals in general. Refer to the Performance and Technical Data paragraph for operating limit values.

Observe the information in the Use and Maintenance Instruction Manual. Cleaning and self-cleaning filters are protection filters and they are not suitable for the filtration of water containing silt, large amounts of sand and/or suspended material.

In these cases it is necessary to use other types of filters.

### Raw water

PulimATIC has been designed for treatment of water intended for human consumption (drinking water).

### Conformity and Regulatory references

EN 13443-1:2002+A1:2007 Water conditioning equipment inside buildings - Mechanical filters - Part 1: Particle rating 80 µm to 150 µm - Requirements for performances, safety and testing.



DVGW certified product (Deutscher Verein des Gas und Wasserfaches) – FT360, FT362, FT364 only.



ACS certified product (Attestation de Conformité Sanitaire) – complies with French drinking water regulations.



Italian drinking water regulations (DM n. 25/2012 and DM n. 174/2004).

Acqua Brevetti SRL has adopted an Integrated Management System QHSE (Quality, Health and Safety, Environment) certified in compliance with the following standards:

EN ISO 9001:2015

ISO 45001:2018

EN ISO 14001:2015

### Endowment

PulimATIC is packaged inside a paperboard box. The inlet and outlet of the filter connections are equipped with closing caps that prevent any external contamination, to be removed at the time of installation.

The standard endowment includes: PulimATIC filter, plastic bag with N°2 nuts and N°2 tailpieces (PulimATIC 1"½ and 2" only), Use and Instruction manual, bowl opening key, Power supply.



# PULIMATIC

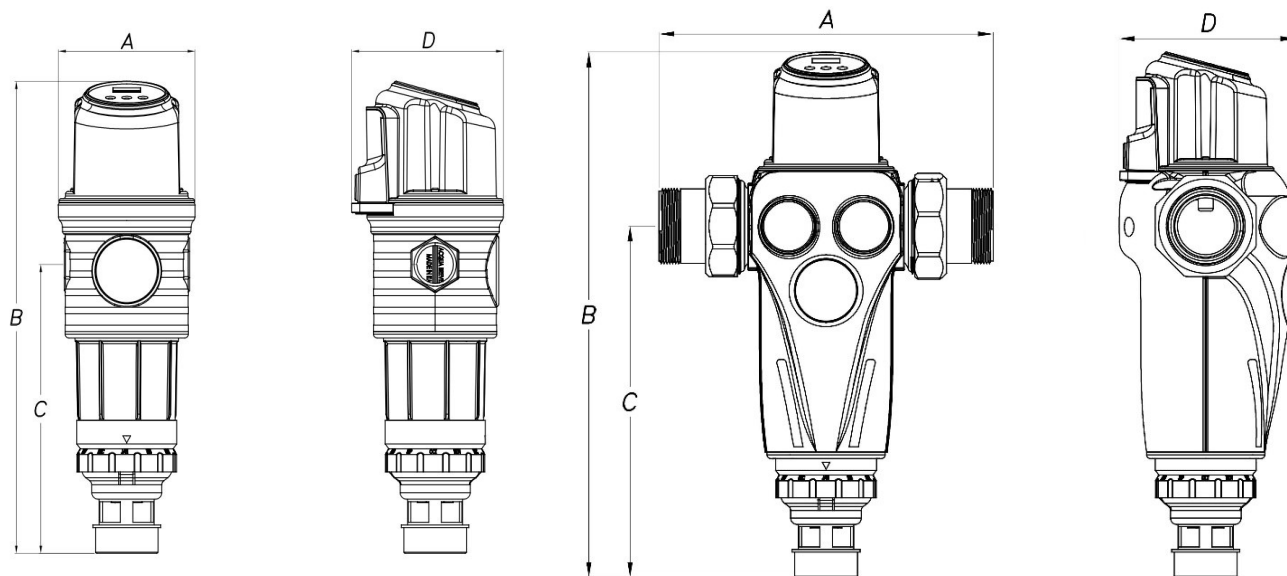
## AUTOMATIC SELF-CLEANING FILTER

**TECHNICAL DATASHEET**  
Household Range

SCTEC118  
REV.04 dated 04/2024

### Performances and technical datasheet

	Units	FT360	FT362	FT364	FT366	FT368
Connections	inch	¾" F	1" F	1" ¼ F	1" ½ M	2" M
Flow rate (ΔP=0,2 bar)	m³/h	4,8	6,0	6,5	12,0	14,2
Flow rate (ΔP=0,5 bar)	m³/h	6,4	9,6	10,6	22,0	22,6
Filtration degree	micron	100 (120/80)				
Nominal pressure (PN)	bar	16				
Min-max working pressure	bar	1,5 - 16				
Min pressure for washing	bar	2,5				
Cleaning water consumption	l/cycle	14 about				
Min-max water temperature	°C	5 - 30				
Min-max room temperature	°C	5 - 40				
Power supply	V/Hz	230/50				
Protection degree	IP	44				
Drain size	DN	50				
Registration number DVGW		DW-9301DM0330				
<b>Dimensions</b>						
Width (A)	mm	110	110	110	251	265
Total height (B)	mm	366	366	366	416	416
Height at the connections (C)	mm	228	228	228	284	284
Depth (D)	mm	122	122	122	140	140





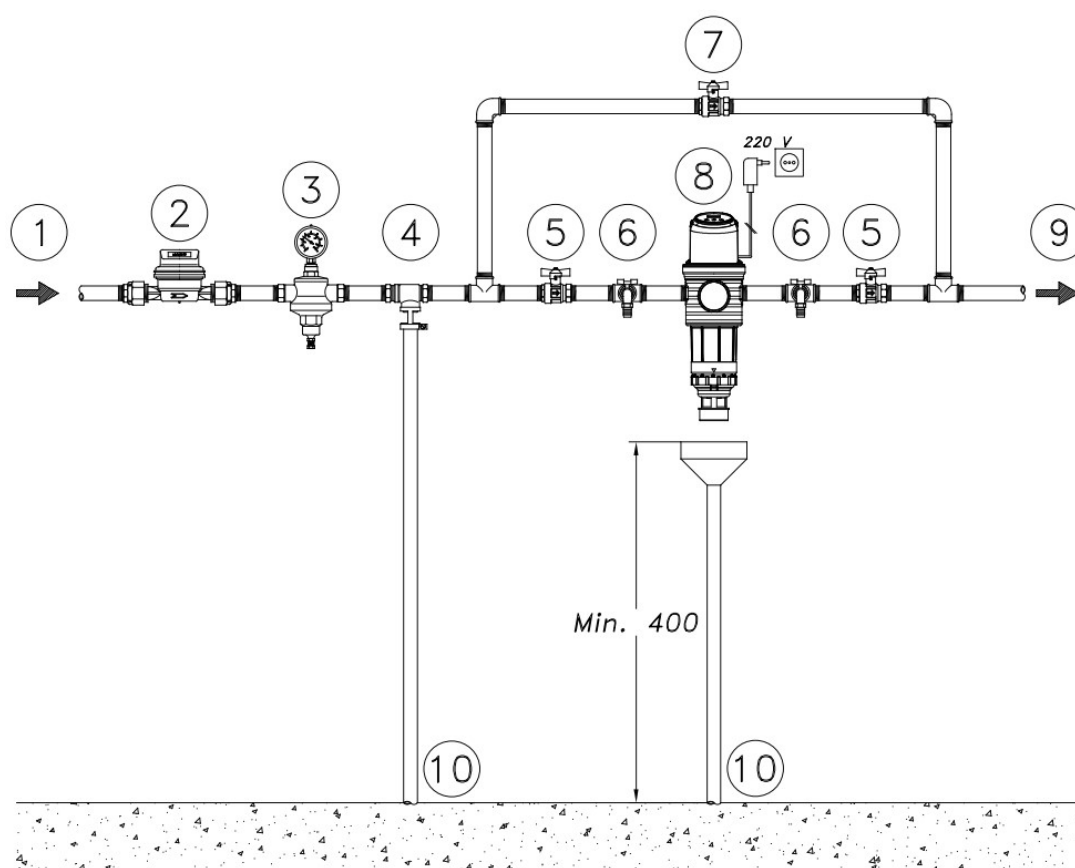
# PULIMATIC

## AUTOMATIC SELF-CLEANING FILTER

TECHNICAL DATASHEET  
Household Range

SCTEC118  
REV.04 dated 04/2024

### Installation scheme



#### Legend

1. Water inlet ● 2. Flow meter ● 3. Pressure reducer ● 4. Backflow preventer ● 5. Shut off valve ● 6. Sampling tap ● 7. By-pass valve ● 8. PulIMATIC filter ● 9. Cold water outlet ● 10. Drain.



# PULIMATIC

AUTOMATIC SELF-CLEANING FILTER

## TECHNICAL DATASHEET

Household Range

SCTEC118

REV.04 dated 04/2024

# Treating water is useful and convenient



### ACQUA BREVETTI SRL

Via Molveno, 8 – 35035 MESTRINO (PD) – ITALY

[www.acquabrevetti.it](http://www.acquabrevetti.it) – [www.acquasil.it](http://www.acquasil.it)

[info@acquabrevetti.it](mailto:info@acquabrevetti.it)



Azienda certificata  
ISO 9001:2015



This Technical Datasheet is based on the experience of Acqua Brevetti SRL and it is applied to the use in compliance with the instruction supplied by the manufacturer; any use different from those described must be authorized in a written form from Acqua Brevetti SRL. For a regular maintenance it is advised to enter into a contract with an authorized technical service. Acqua Brevetti SRL reserves the right to any change to its products without any notification. The reproduction of this document or part of this document is forbidden. This document is property of Acqua Brevetti SRL.